

MINI POWER HUB w/ BEC 5V & 12V

SKU: HUB5V12V

The Mini POWER HUB has been engineered to provide the highest possible performance and reliability in a 36*36mm & 4 layers PCB. The HUB distributes power from a battery pack to 4 ESCs, as well as providing synchronised & regulated DC outputs for powering cameras, servos, video transmitters, LEDs, etc. Batteries may range from 3S to 6S LiPo. The HUB also features convenient solder bridge of various voltage for camera & video TX.

Features

- 2oz copper & 4-layers PCB.
- ESC & Battery solder tabs in pairs
- Solder Bridges of various voltage for Camera & VTX.
- 5V & 12V Output LED indicators & Short circuit tolerant

Specifications

General:

- Input voltage range (3S-6S operation): 9 - 26VDC
- Regulated 5V and 12V outputs
- LED power indicators (5V & 12V outputs)
- 4 ESC outputs

ESC outputs:

- Continuous current: 20A per output
- Peak current (10 seconds/minute): 25A per output

BEC 5V output:

- Designed for RC Receivers, Flight controllers, OSD, and Servos.
- DC/DC synchronous buck regulator, Efficiency is up to 95%.
- Voltage: 5.0 +/- 0.1VDC
- Continuous current: 3 Amps
- Short-circuit tolerant (10 seconds/minute)
- LED (indicates voltage is in regulation)

BEC 12V output:

- The battery should be 4S~6S LiPo
- Standard output designed to power cameras and video transmitters, etc.
- Voltage: 12.0 +/- 0.2VDC
- Continuous current: 2 Amps (Max.3A 10s/minute)
- Short-circuit tolerant (10 seconds/minute)
- LED (indicates voltage is in regulation)

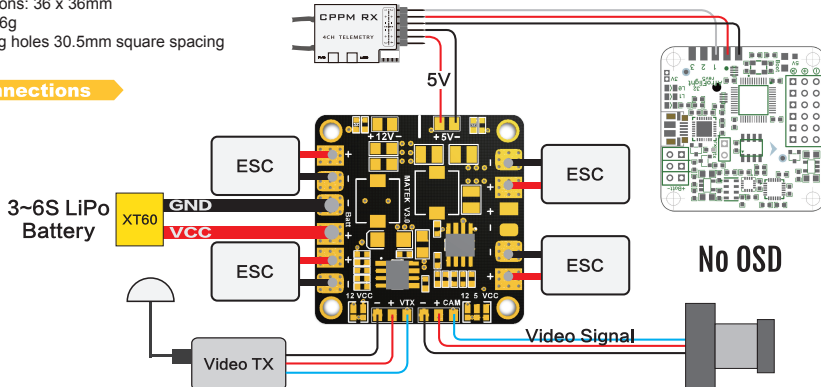
CAM & VTX voltage bridge

- 3S operation, choose "VCC" for 12V camera & 12V VTX, VCC=Battery Voltage.
- 4~6S operation, choose "12" for 12V camera & 12V VTX
- 3~6S operation, choose "5" for 5V camera
- Video pass through from the "CAM" pad to the "VTX" pad

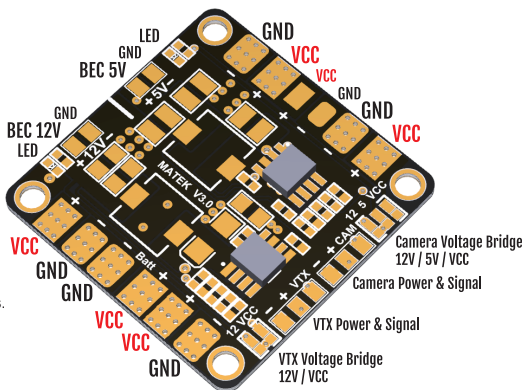
Physical:

- Dimensions: 36 x 36mm
- Weight: 6g
- Mounting holes 30.5mm square spacing

Connections



Layout



e.g. choose 5V for camera, 12V for VTX

No OSD